

# Product data sheet

Specifications



## network module, Modicon M580, Ethernet IP/Modbus TCP

BMENOC0301

**Product availability: Stock - Normally stocked in distribution facility**

### Main

Range Of Product	Modicon M580
Product Or Component Type	Communication module
Product Compatibility	BMEXBP... - Ethernet + X-bus rack
Concept	Transparent Ready

### Complementary

Integrated Connection Type	3 Ethernet RJ45 10/100 Mbit/s double shielded twisted pair
Web Server	Basic
Transmission Support Medium	Ethernet backplane
Communication Service	Bandwidth management FDR server SNMP network administrator Modbus TCP I/O Scanner and Messaging Ethernet/IP I/O Scanner and Messaging RSTP support Port mirroring Embedded multiport switch
Port Ethernet	10BASE-T/100BASE-TX
Supply	Internal power supply via rack
Marking	CE
Module Format	Standard
Current Consumption	900 mA 3.3 V DC for product version >= 13) 1800 mA 3.3 V DC for product version < 13)
Net Weight	0.44 lb(US) (0.2 kg)

### Environment

Ambient Air Temperature For Operation	32... 140 °F (0...60 °C)
Ip Degree Of Protection	IP20
Directives	2014/35/EU - low voltage directive 2014/30/EU - electromagnetic compatibility
Local Signalling	for processor running (RUN) 1 LED (green) for processor or system fault (ERR) 1 LED (red) for ETH MS (Ethernet port configuration status) 1 LED (green/red) for Eth NS (Ethernet network status) 1 LED (green/red)

### Ordering and shipping details

Category	US1PC3418160
Discount Schedule	PC34

Price is "List Price" and may be subject to a trade discount – check with your local distributor or retailer for actual price.

<b>Gtin</b>	3606480713903
<b>Returnability</b>	Yes
<b>Country Of Origin</b>	FR

## Packing Units

<b>Unit Type Of Package 1</b>	PCE
<b>Number Of Units In Package 1</b>	1
<b>Package 1 Height</b>	2.17 in (5.500 cm)
<b>Package 1 Width</b>	4.41 in (11.200 cm)
<b>Package 1 Length</b>	4.72 in (12.000 cm)
<b>Package 1 Weight</b>	8.96 oz (254.000 g)
<b>Unit Type Of Package 2</b>	S02
<b>Number Of Units In Package 2</b>	15
<b>Package 2 Height</b>	5.91 in (15.000 cm)
<b>Package 2 Width</b>	11.81 in (30.000 cm)
<b>Package 2 Length</b>	15.75 in (40.000 cm)
<b>Package 2 Weight</b>	9.12 lb(US) (4.136 kg)

## Sustainability


**Green Premium™ label** is Schneider Electric's commitment to delivering products with best-in-class environmental performance. Green Premium promises compliance with the latest regulations, transparency on environmental impacts, as well as circular and low-CO<sub>2</sub> products.


**Guide to assessing product sustainability** is a white paper that clarifies global eco-label standards and how to interpret environmental declarations.

[Learn more about Green Premium >](#)

[Guide to assess a product's sustainability >](#)

## Well-being performance

 Mercury Free

 Rohs Exemption Information [Yes](#)

**Reach Regulation** [REACH Declaration](#)

**Eu Rohs Directive** Pro-active compliance (Product out of EU RoHS legal scope)

**China Rohs Regulation** [China RoHS declaration](#)

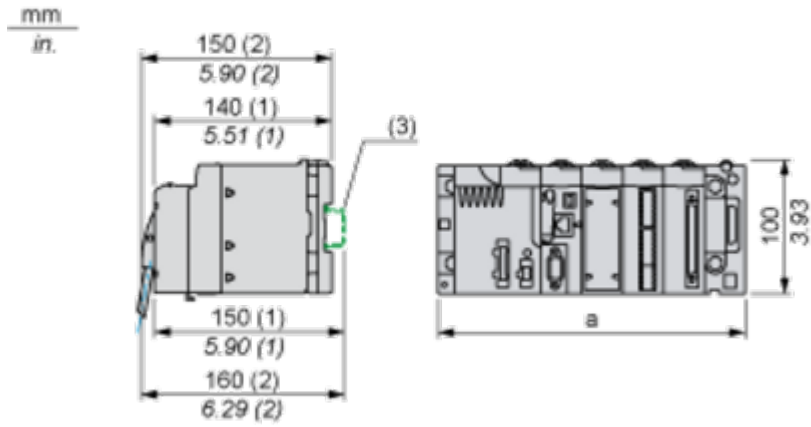
**Weee** The product must be disposed on European Union markets following specific waste collection and never end up in rubbish bins.

**California Proposition 65** WARNING: This product can expose you to chemicals including: Lead and lead compounds, which is known to the State of California to cause cancer and birth defects or other reproductive harm. For more information go to [www.P65Warnings.ca.gov](http://www.P65Warnings.ca.gov)

Modules Mounted on Racks

---

Dimensions



(1) With removable terminal block (cage, screw or spring).

(2) With FCN connector.

(3) On AM1 ED rail: 35 mm wide, 15 mm deep. Only possible with BMXXBP0400/0400H/0600/0600H/0800/0800H rack.

Rack references	a in mm	a in in.
BMXXBP0400 and BMXXBP0400H	242.4	09.54
BMXXBP0600 and BMXXBP0600H	307.6	12.11
BMXXBP0800 and BMXXBP0800H	372.8	14.68
BMXXBP1200 and BMXXBP1200H	503.2	19.81